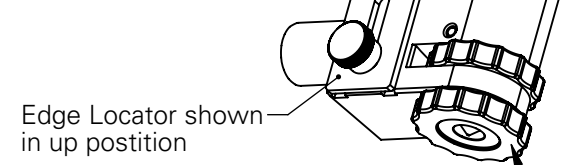
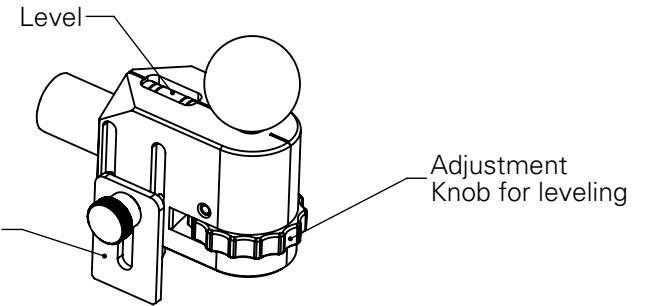
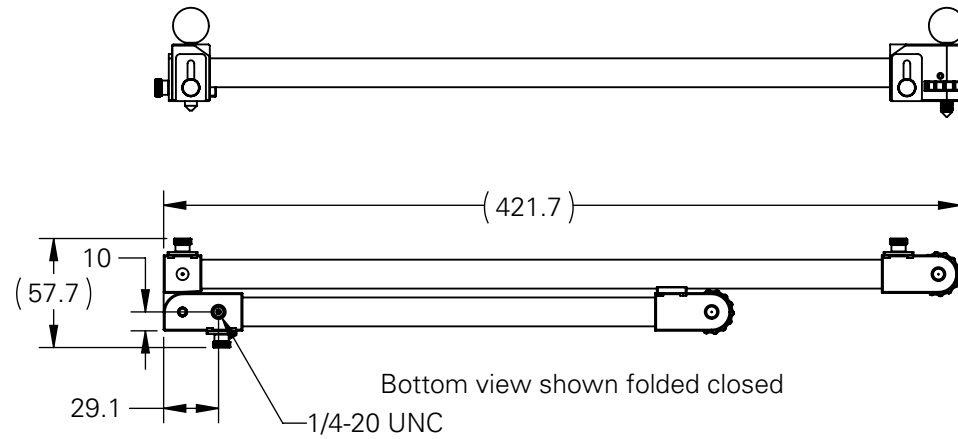


DETAIL A
SCALE 1 : 1.5

Edge Locator shown
in down position

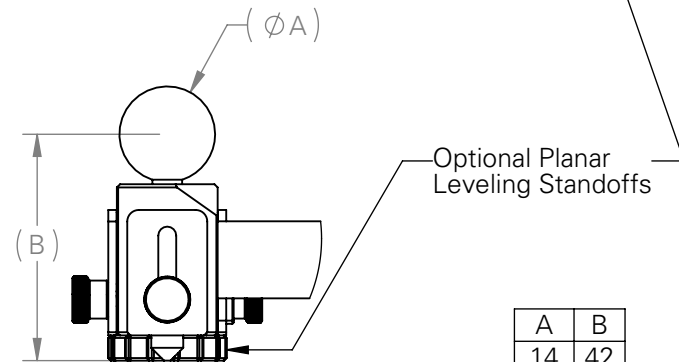


Edge Locator shown
in up position



Bottom view shown folded closed

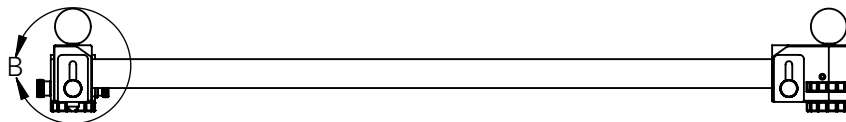
1/4-20 UNC



DETAIL B
SCALE 1 : 1.5

A	B
14	42
15.9	43
* 19	45

* Default Marker



Side view shown with optional Planar Leveling Standoffs

OptiTrack		CS-400 Technical Drawing	
Tolerance (mm): (X) = ±0.2 X = ±0.05	Rev. A	Date of Issue 10/01/2015	Sheet 1 OF 1