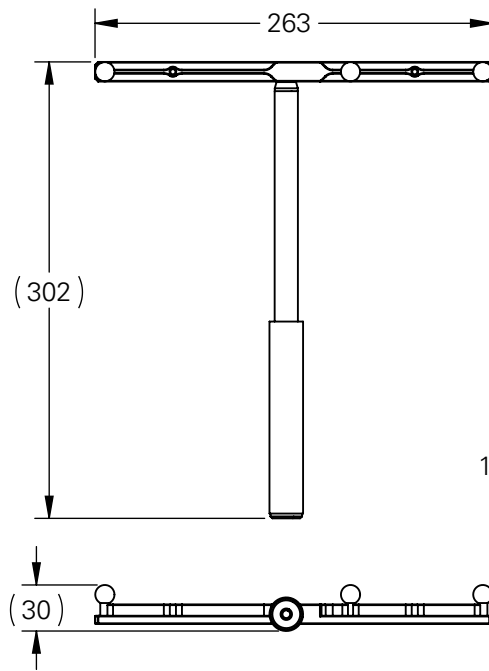
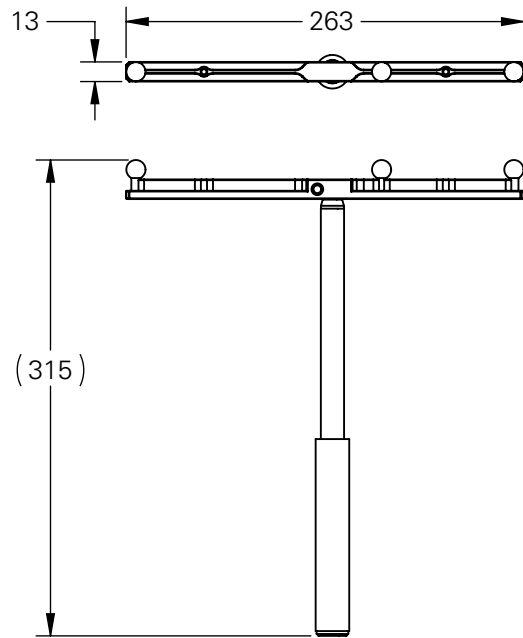
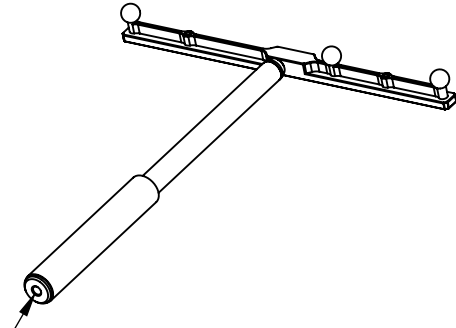


Standard Orientation

Alternate Orientation

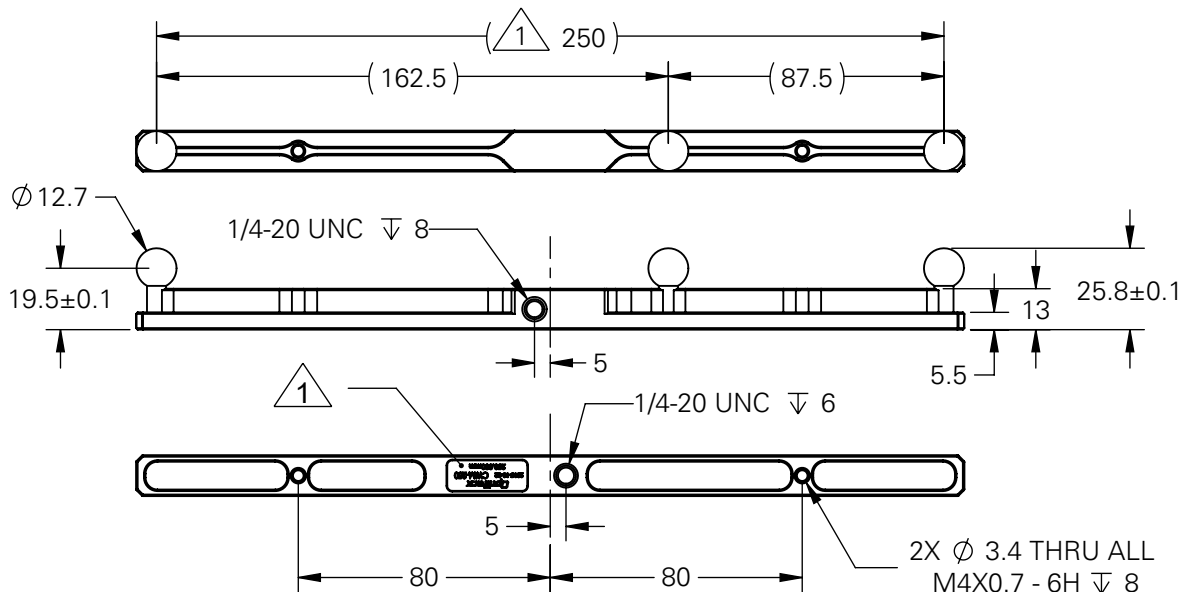
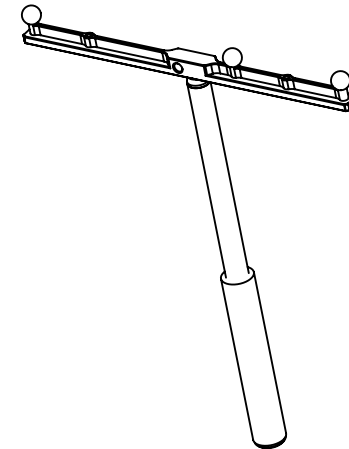


Alternate Orientation



1/4-20 UNC

Standard Orientation



△ Measured marker distance recorded on label has a tolerance of ±0.008 mm

OptiTrack		CWM-250 Technical Drawing	
Tolerance (mm): (X) = Ref. X = ±0.05	Rev. A	Date of Issue 10/02/2015	Sheet 1 OF 1