

Flex 3

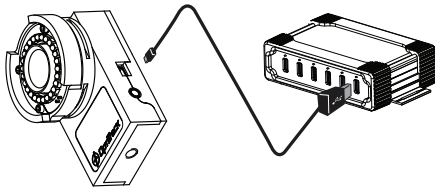
OptiTrack™

1 Install Software

Download and run the latest software installer on your host computer. Please visit www.optitrack.com/downloads/ for a list of compatible software.

2 Plug In Hardware

Connect the Flex 3 to a USB port of an OptiHub or USB hub.



Multiple OptiTrack cameras may be synchronized for greater precision, via OptiSync or Wired Sync.

OptiSync Over USB:

OptiSync requires Flex 3 cameras connected to OptiHubs (see Diagram 1). Refer to the hub OptiHub Quick Start Guide included with your OptiHub for detailed information, or visit www.optitrack.com/downloads/ to download the.

Wired Sync Over RCA:

1. Plug in Camera Sync Splitter to each camera (see Diagram 2).
2. Connect master device's "out" connector to slave camera's "in" connector using a Sync Cable (sold separately).
3. Initiate camera synchronization via software.

Technical Notes

- Make sure all USB hubs used with the device are externally powered (plug into wall).
- For best performance, use the device with OptiTrack OptiHub.
- Windows XP, Vista, and 7 users must have administrative privileges to install the USB drivers.

Need help?

Call technical support at [1-888-965-0435](tel:1-888-965-0435) or e-mail us at support@optitrack.com. For general information, please visit www.optitrack.com.

Diagram 1. OptiSync over USB.

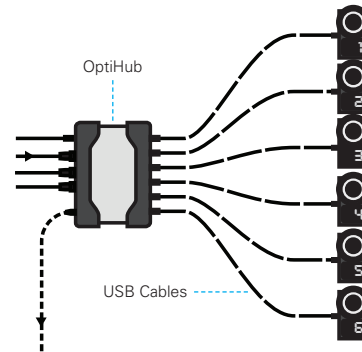


Diagram 2. Wired sync over RCA.

