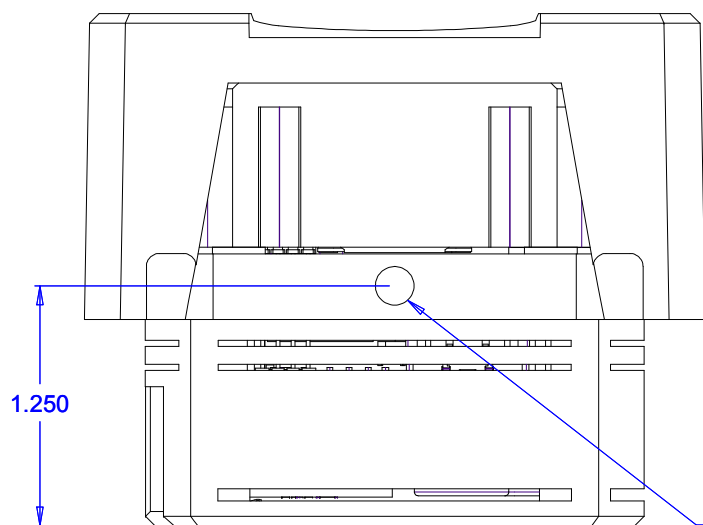
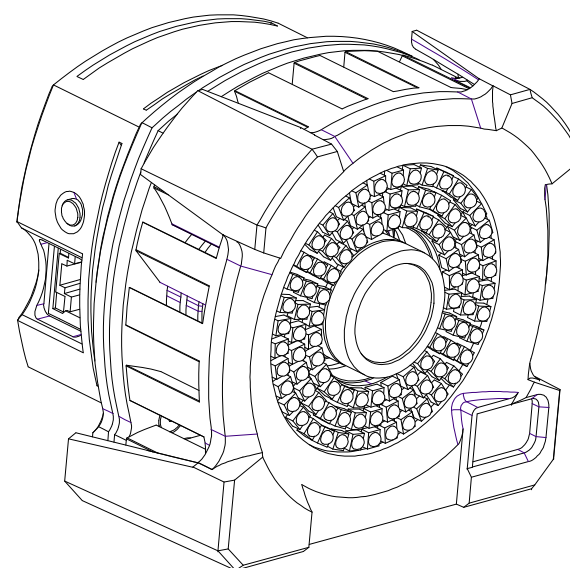


6-32 Socket Head Cap Screws (x2)
use 7/64" Hex Key to remove



1/4-20 Threaded Hole
0.25" Deep

