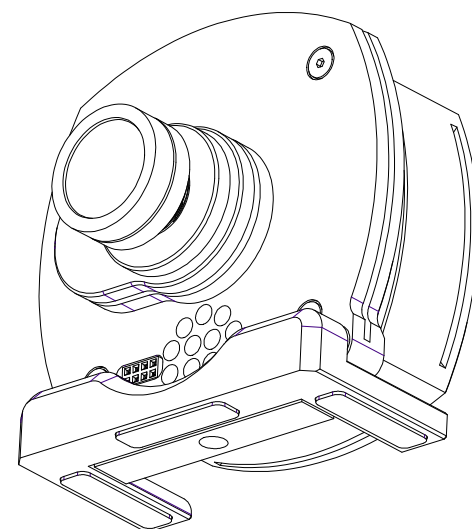
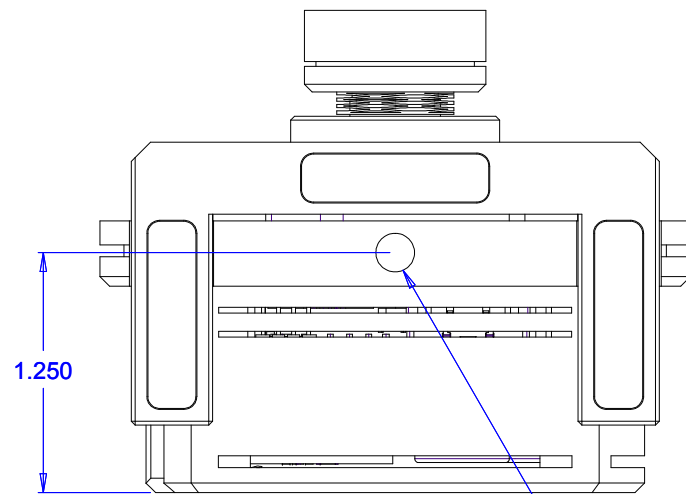
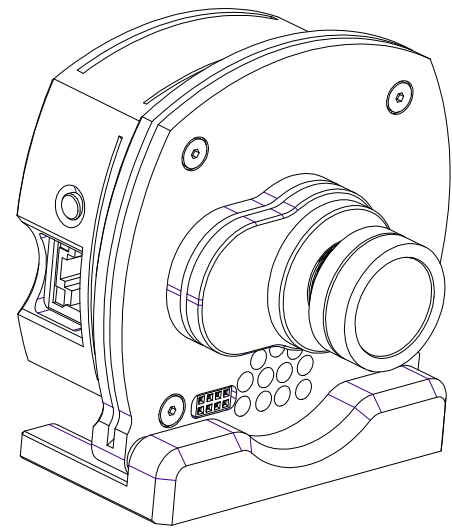
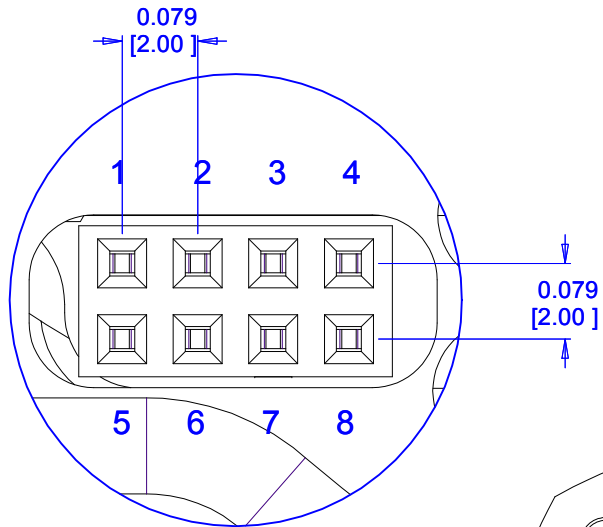


6-32 Socket Head Cap Screws (x2)
use 7/64" Hex Key to remove



1/4-20 Threaded Hole
0.25" Deep



Header Pinout

- 1: 48V
- 2: Ringlight-Strobe
- 3: 3.3V
- 4: 5V
- 5: SDA
- 6: SCL
- 7: Ground
- 8: Ground

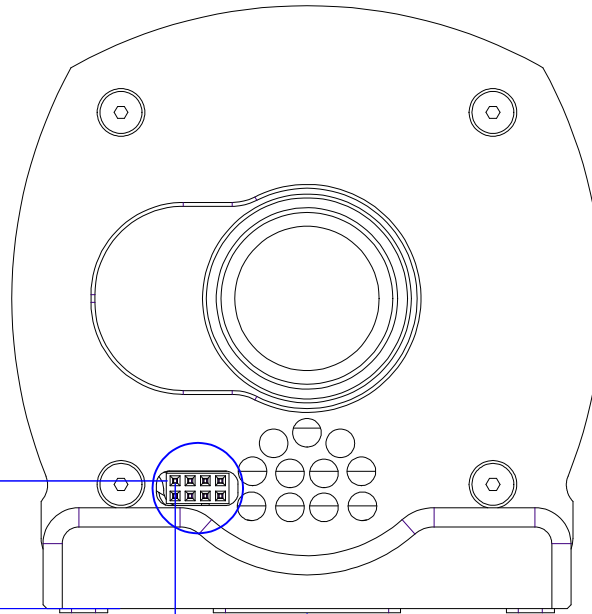
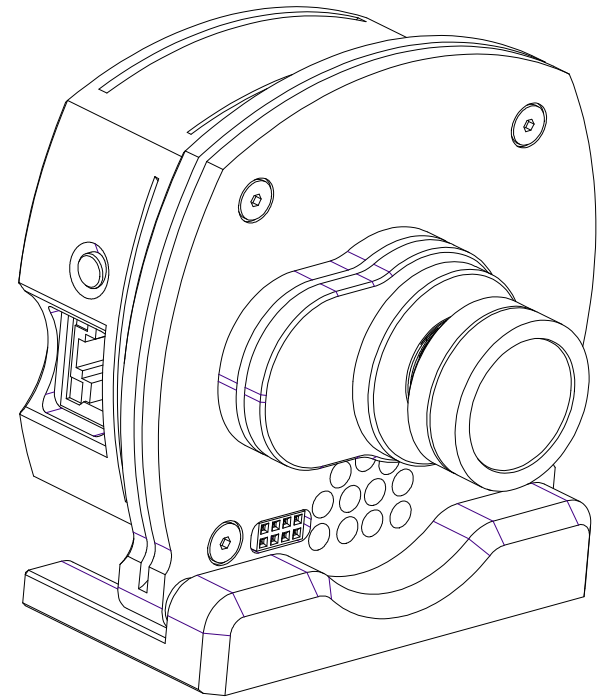
0.665 Pin 1
[16.89]

0.000

-0.687 Pin 1
[-17.45]

0.000

INCH [MM]



Header Pinout Diagram
S250e:SLIM
NaturalPoint
12-15-10