

# V120:Duo & Trio

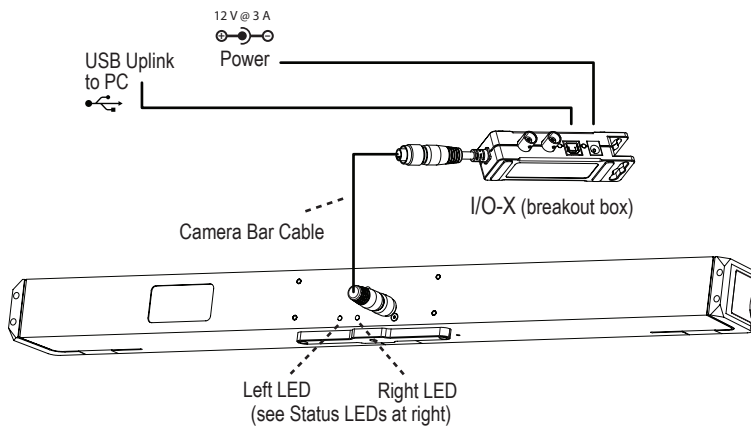
OptiTrack™

## 1 Software Installation

Download the Motive software installer from the Motive Download Page: [www.optitrack.com/downloads/](http://www.optitrack.com/downloads/)

Run the installer and follow its prompts. The V120:Duo and V120:Trio both include a free license to Motive:Tracker, so no software license activation is required.

## 2 Plug In Hardware



## 3 Notes

- After starting Motive software, the device should be ready to track immediately.
- Licensing and calibration are automatic and built into the device.
- **Warning:** Ensure power has been disconnected from the I/O-X (breakout box) before plugging or unplugging the Camera Bar Cable. Hot-plugging this cable may damage the device.
- Windows 2000, XP, Vista and Windows 7/8 users must be logged in as an administrator to install the USB drivers. If you only have one user login on your computer, you probably have administrator privileges.

## 4 Status LEDs

Put on the motion capture suit and ensure that it is as tight as possible. Motive derives the position of each body segment from the markers that you will place on the suit, so preventing the shifting of markers due to a loose-fitting suit is essential.

### Left LED Color:

None	Device is off
Red	Device in on
Amber	Device is recognized by Motive

### Right LED Color:

None	Tracking/video is <b>not enabled</b>
Red (Solid)	Configured for External-Sync: <i>Sync Not Detected</i>
Red (Flashing)	Configured for Default, Free Run Mode or External-Sync: <i>Sync Detected</i>
Green (Solid)	Configured for Internal-Sync: <i>Sync Missing</i>
Green (Flashing)	Configured for Internal-Sync: <i>Sync Present</i>

## Need help?

Call technical support at [1-888-865-5535](tel:1-888-865-5535) or e-mail us at [support@optitrack.com](mailto:support@optitrack.com). For general information, please visit [www.optitrack.com](http://www.optitrack.com).