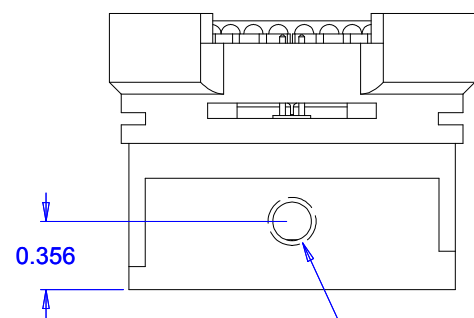
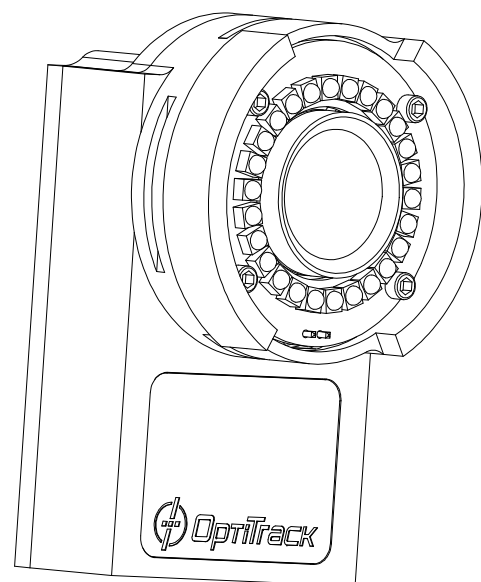


2-56 Socket Head Cap Screw (x3)
use 5/64" Hex Key to remove



1/4-20 Threaded Hole
0.225" Max Fastener Depth

